

Integrated Gas System (IGS)



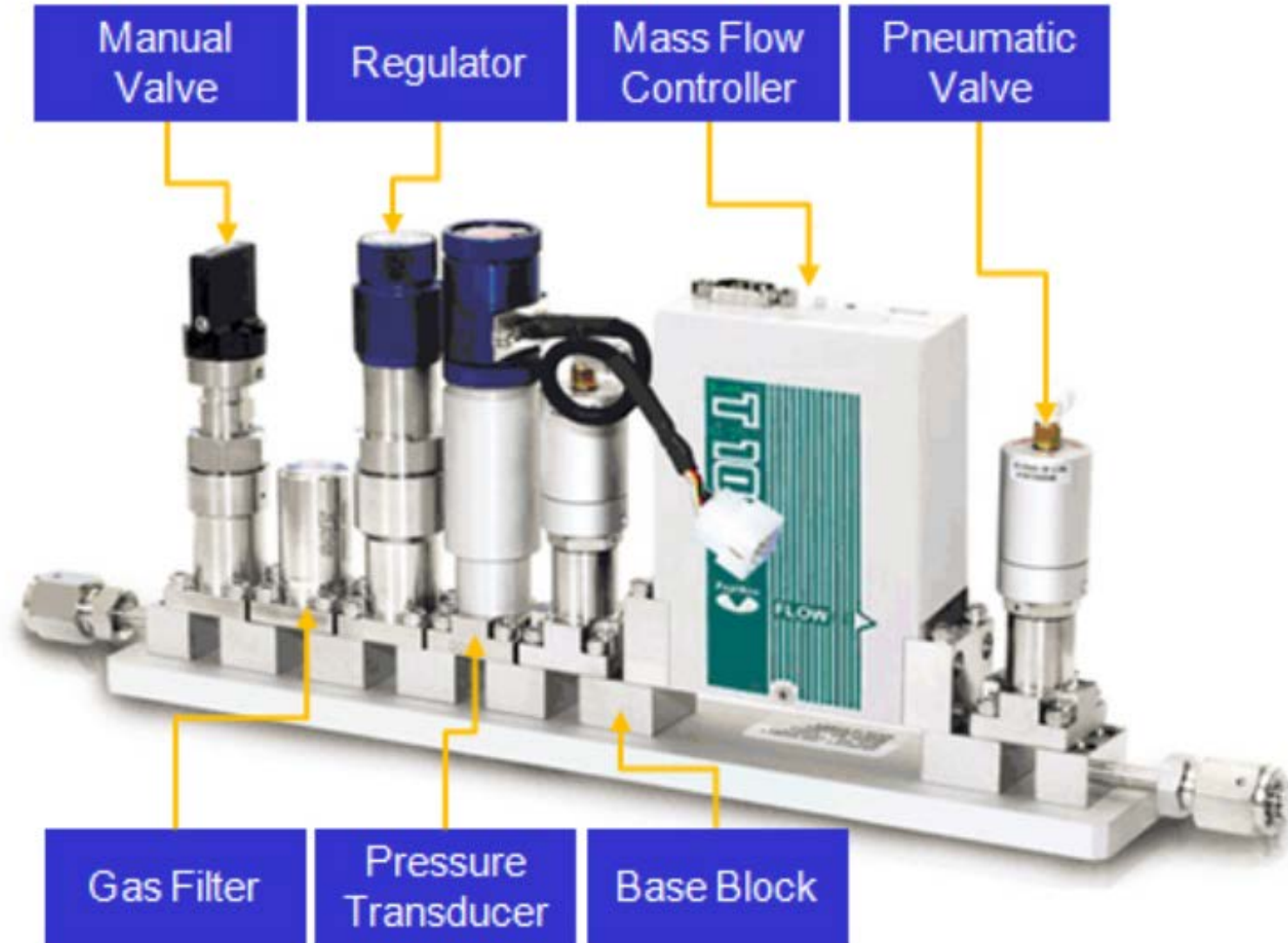
■ IGS stands for Integrated Gas System is the device that it supplies and controls the high purity gas to the equipment of the semiconductor manufacturing process and is the integrated device by the block access to the unit.

■ IGS는 Integrated Gas System의 약자로, 반도체 제조공정의 장비에 고순도 가스를 공급 및 제어하는 장치로, Unit에 대한 접근을 차단하여 통합된 장치입니다.

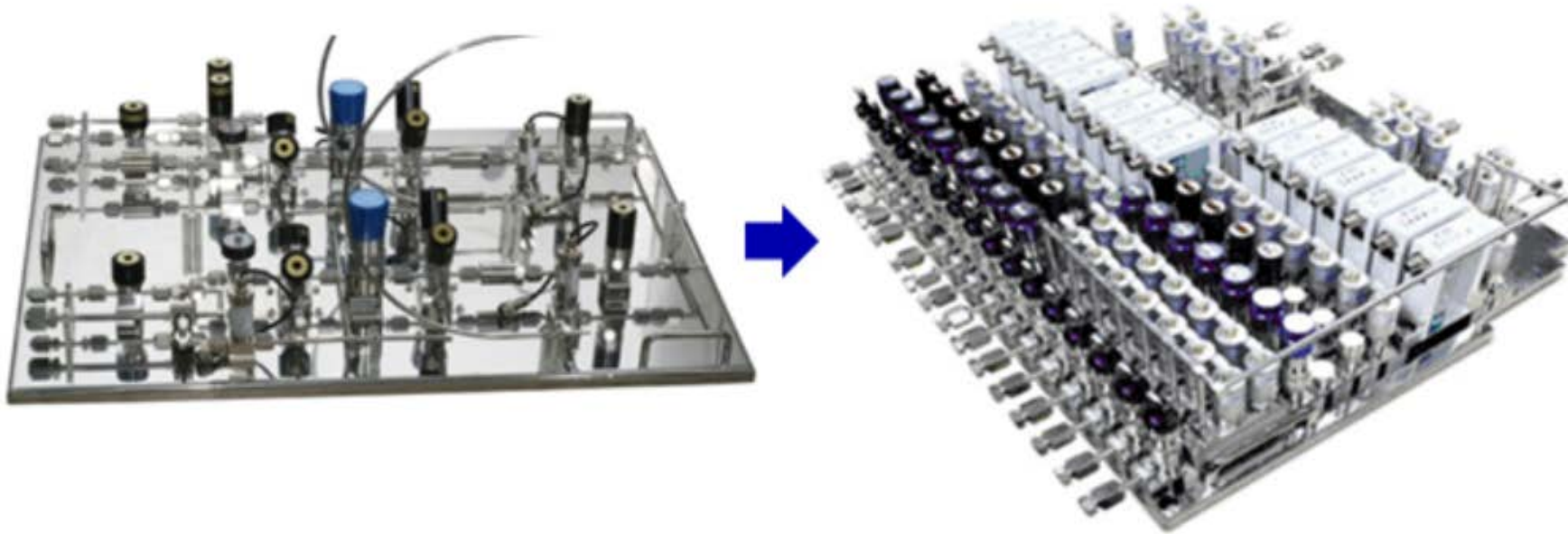
■ IGS can be provided two different sealing type as W-Seal and C-Seal and offers superior performance realizing the miniaturization, high reliability, space saving, cost reduction and easy maintenance by replacing the conventional model.

■ IGS는 **W-Seal**과 **C-Seal**의 2가지 씰링 방식을 제공할 수 있으며 기존 모델을 대체하여 소형화, 고신뢰성, 공간 절약, 비용 절감 및 손쉬운 유지 보수를 실현하는 우수한 성능을 제공합니다.

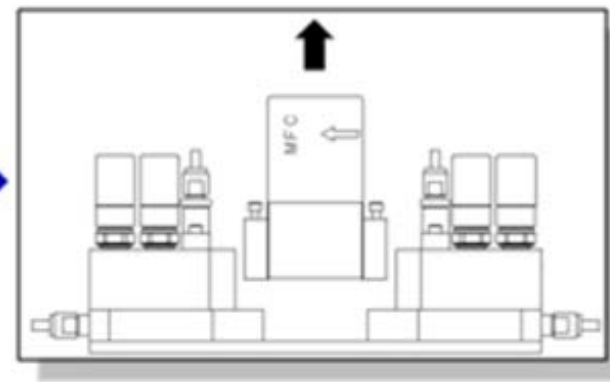
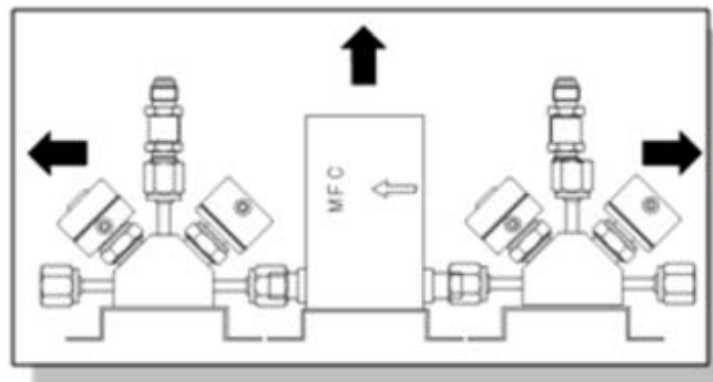
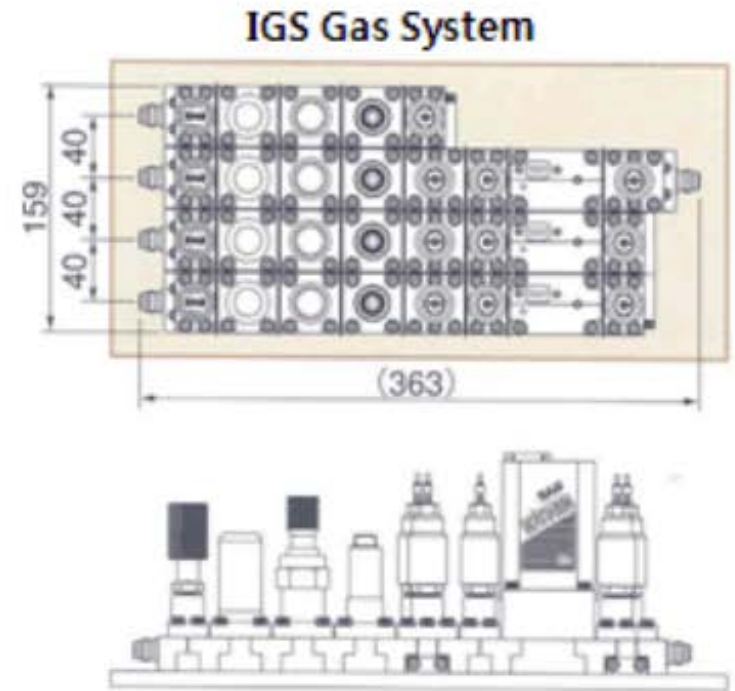
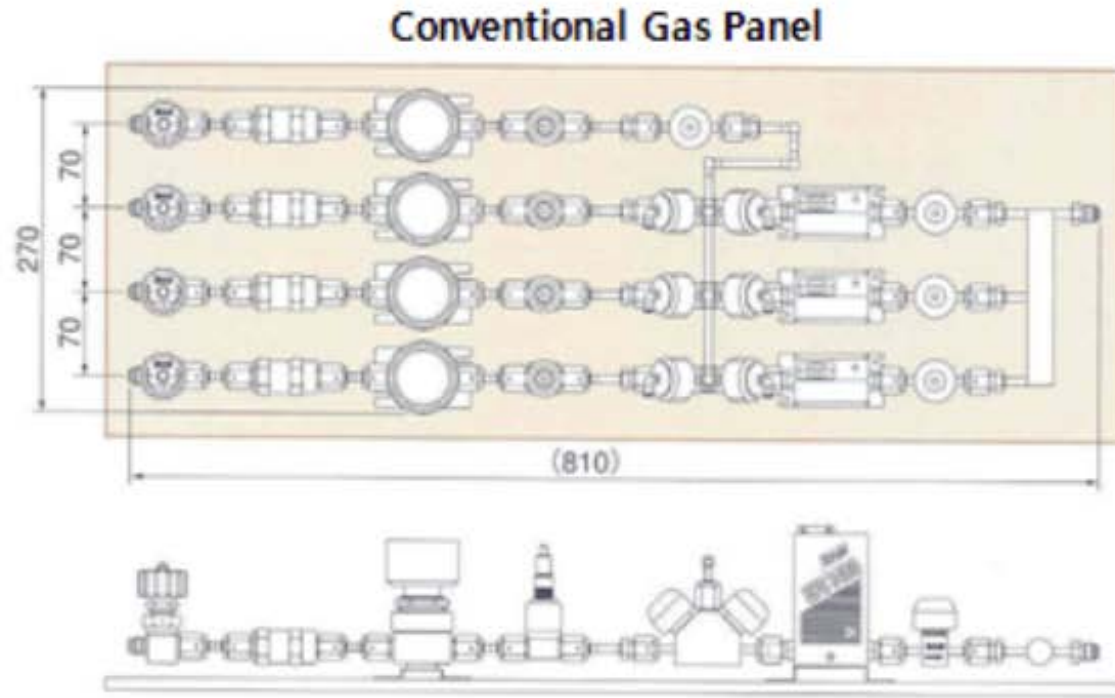
■ Components



- ⑩ Easy installation with low tightening torque(3N·m 1.125")(W-SEAL)
- ⑪ Compact and Standardization allows for Space Saving and Cost Reduction → Total Cost reduced



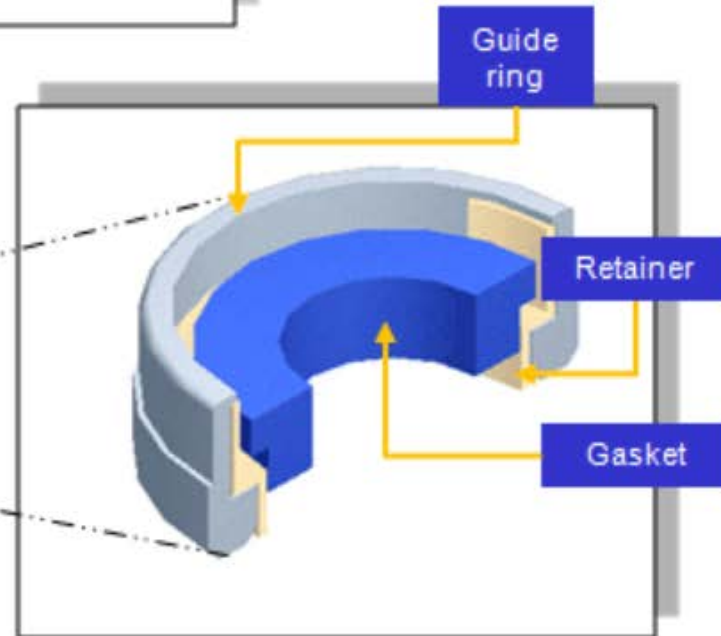
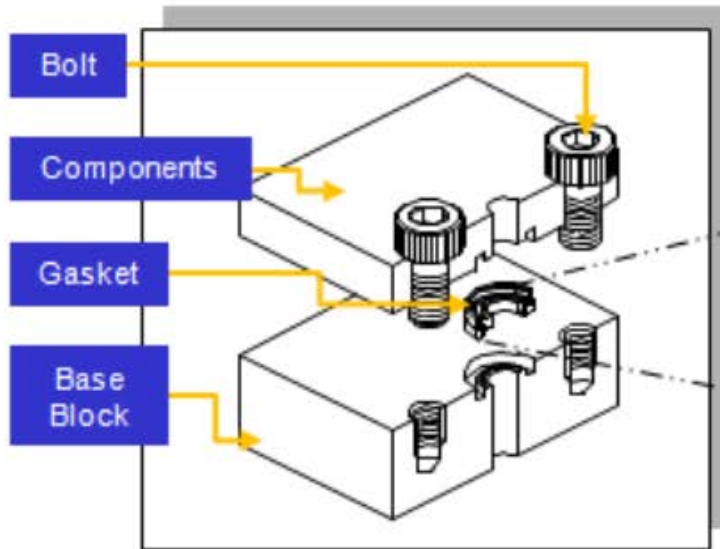
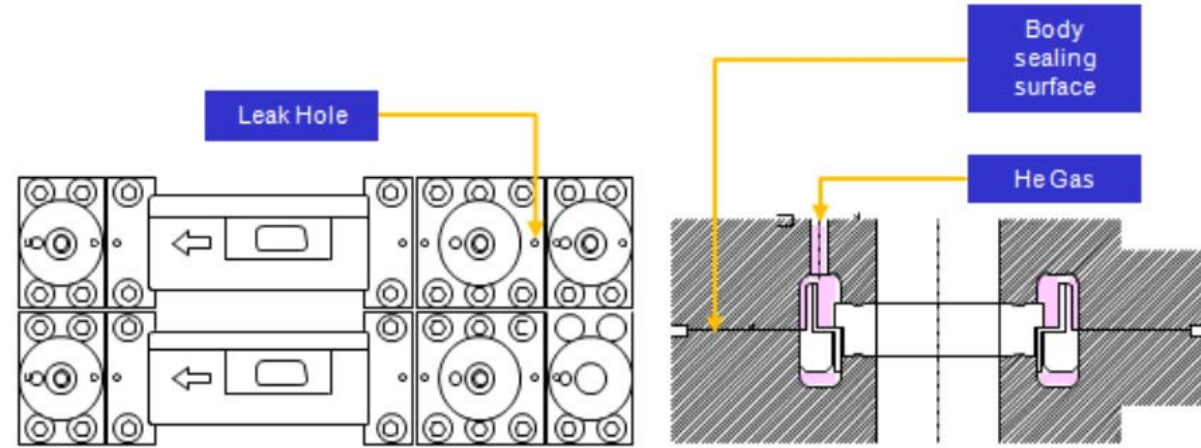
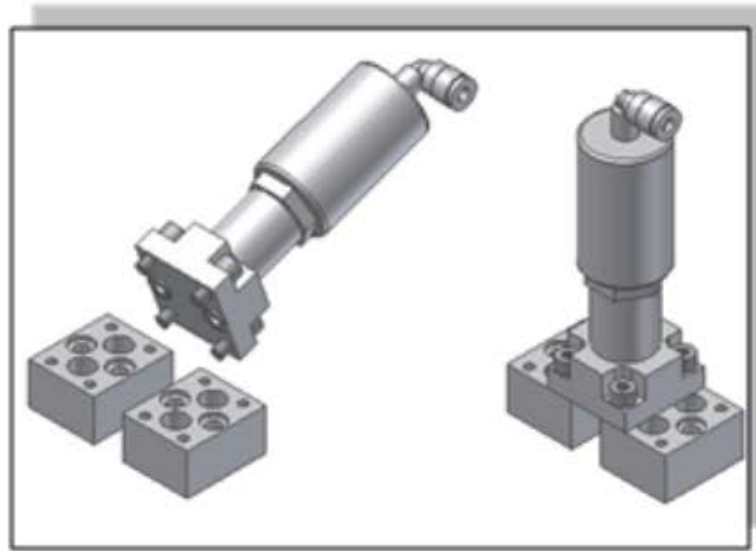
- 1) Allows for vast reduction than conventional gas panel
- 2) Reduced Welding Point 75%

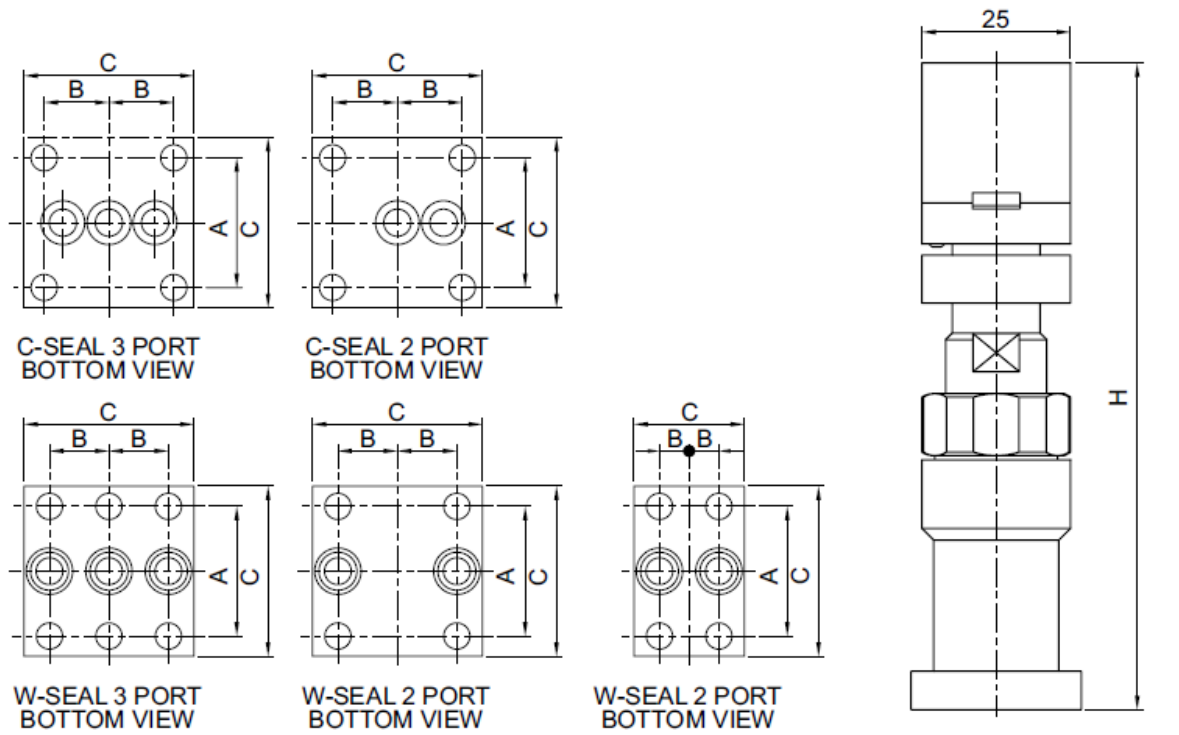


Conventional Gas Panel

IGS Gas System

UHP IGS type Panel 실링 및 리크 체크





[C-SEAL]



[W-SEAL]

Size	Seal Type	Port	Part Number	A	B	C	H
1.125"	W-Seal	2	11NSODVK - 2W	21.8	10	28.6	108
		3	11NSODVK - 3W3T12	21.8	10	28.6	108
	C-Seal	2	11NSODVK - 2C	21.8	10.9	28.6	106.2
		3	11NSODVK - 3C3T12	21.8	10.9	28.6	106.2
1.5"	W-Seal	2	15NSODVK - 2WS	30	6.5	26	108
		2	15NSODVK - 2W	30	13	39	108
		3	15NSODVK - 3W3T12	30	13	39	108
	C-Seal	2	15NSODVK - 2C	30.2	15.5	39	106.2
		3	15NSODVK - 3C3T12	30.2	15.5	39	106.2

SEAL TYPE	SIZE	SPEC.
W-Seal	1.125"	SEMI Compliant Design F82~F95
	1.5"	
C-Seal	1.125"	
	1.5"	



[1.125"]

[1.5"]